



Spec Sheet

SIGMA S118

Active Bassreflex Subwoofer
18", 1400W PRG **digipro G2**



Applications

- Portable sound reinforcement systems
- Small theatre and houses of worship
- Band and vocal PA
- DJ PA systems
- Small to medium size venue Main PA

Features

- Active Bassreflex Subwoofer
- 1400W PRG / 2800W Peak Class-D digipro® G2 amplifier
- 18" woofer, 4" voice coil
- 24 bit \ 48 kHz DSP with selectable Xover frequency (80-100Hz)
- Peak, RMS, Thermal limiter
- Reinforced multiplex housing with H.E.T™ coating

Description

SIGMA active speaker series is the perfect answer to the needs of those musicians, bands and DJs who need reliable audio systems that sets up in a flash, are easily tweaked without a lot of fuss and are able to operate at high levels for hours on end. Those users need rigs capable of delivering tight, punchy bass response as well as assertive mids and sparkling top end. The SIGMA line is exactly this, but goes beyond. In fact, thanks to the use of first level technologies such as the digital sound processing, the SIGMA series boasts of finely tuned enclosures that give a well-balanced response. This makes these speakers suitable for every sound reinforcement challenge, even when you want a professional and powerful sound.

SIGMA S118 is a powerful 18" active subwoofer housed in a bass-reflex enclosure. Designed

specifically to provide low-frequency support for high performance S115 and S215 full-range speakers, it packs a mighty low-ranging bass punch. The SIGMA S118, S215 and S115 enclosures have the same width so they are easily stacked to set up professional-grade PA systems.

The S118 is equipped with a digipro® G2 class-D digital amplifier, specifically developed for use in very compact and active systems. It delivers 1400W PRG / 2800W Peak power to give a punchy low-frequency response; and its switched-mode power supply ensures greater stability in performance and total reliability. Moreover, because of the high efficiency of this module, while delivering a high amount of power it dissipates very little heat, so that it does not require a fan.

The integrated DSP (digital sound processor) controls the audio crossover of the acoustic component, the frequency response, the limiter, and the acoustic phase alignment. A switch in the back panel allows the user to choose between 80 and 100Hz X-over frequency, in order to obtain a well-blended sound with any type of full-range speaker.

In addition to the subwoofer volume knob, the XLR balanced audio input and XLR balanced audio output, there is a second switch – through which you can choose between X-over or Full-range audio output – and a group of three LEDs – READY, SIGNAL and LIMITER – that indicate, respectively, the subwoofer normal operating conditions, the presence of audio signal (at a medium level of -20dB) and the intervention of the internal limiter circuit.

The housing is realized with the innovative technology named H.E.T™ (Hybrid Enclose Technology specifically developed by dBTechnologies), which combines different materials in order to obtain exceptionally light and remarkably rugged housings. The box is made in light multilayer wood, with a hardwearing, durable, and scratch-resistant PVC coating. Tough, rugged plastic side panels provide excellent protection that makes this subwoofer extremely durable. The front is protected from a 1.5mm metal steel grille covered by foam on backside.

SIGMA S118

Technical Specifications

System Specifications

Speaker Type	2-Way Active Bass-reflex Subwoofer
--------------	------------------------------------

Acoustical Data

Frequency Response [- 3dB]	43 - 110Hz
[- 10dB]	32 - 110 Hz

Max SPL	134 dB SPL
---------	------------

Directivity	Omnidirectional
-------------	-----------------

LF	18"
----	-----

Voice Coil LF	4"
---------------	----

Amplifier

Amp Technology	Class-D, Digipro® G2
----------------	----------------------

Power PRG	1400 W
-----------	--------

Peak Power	2800 W
------------	--------

Processor

Controller	DSP56 bit
------------	-----------

AD/DA Converter	24bit/48kHz
-----------------	-------------

Limiter	Peak, RMS, Thermal
---------	--------------------

Crossover Frequency MF-HF	80 - 100 Hz (switchable)
---------------------------	--------------------------

LF-Xover out slope	24 dB/Octave
--------------------	--------------

Back Panel

Audio Input	1 x XLR female - balanced
-------------	---------------------------

Audio Output	1 x XLR male - balanced
--------------	-------------------------

Power Connections	Powercon® (in and out)
-------------------	------------------------

Controls	1 x Subwoofer Level knob 1 x Xover frequency switch (80 - 100Hz) 1 x Xover / Full-range output switch 3 x LED (Limiter, Signal, Ready)
----------	---

Mechanics

Housing	Multiplex with H.E.T coating, reinforced
---------	--

Housing Shape	Trapezoidal
---------------	-------------

Handle	2, one per side
--------	-----------------

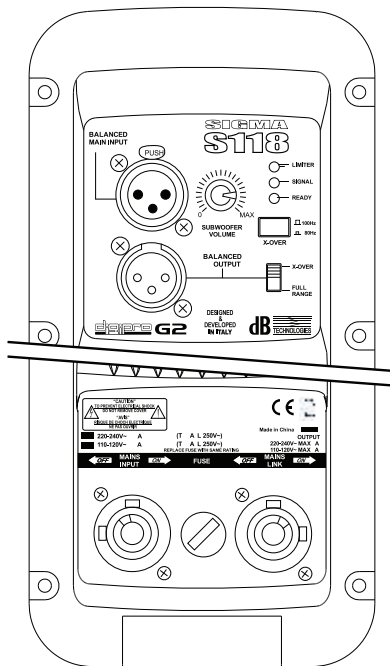
Dimensions (WxHxD)	509 x 815 x 533 mm - 20.04 x 32.09 x 20.98 in
--------------------	---

Weight	38 kg - 83.77 lbs.
--------	--------------------

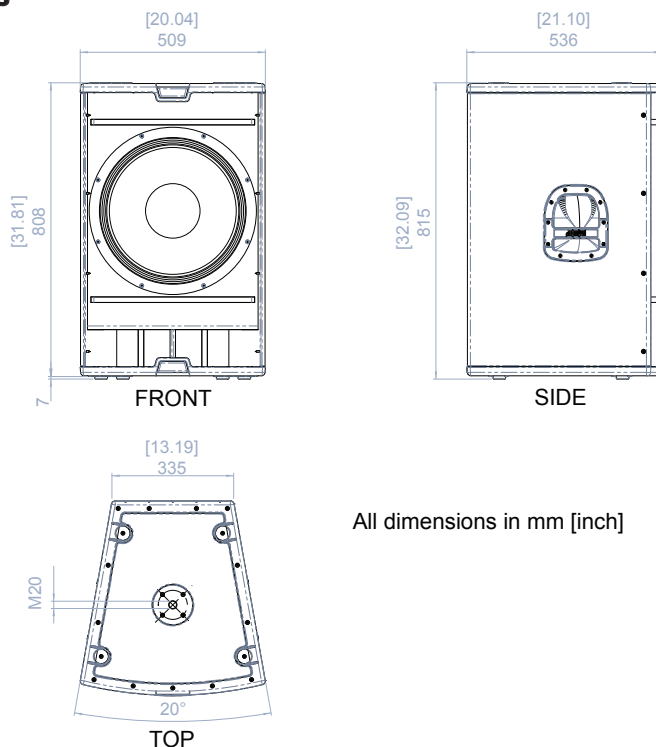
SIGMA S118

Technical Specifications

Back Panel



Overall Dimensions



All dimensions in mm [inch]

Accessories

- AFL 05 Powercon-Powercon link cable. 1,5m length
- DS 2 Pole Mount 35mm, adjustable, M20 thread